

STRUCTURES

SCÈNES

STRUCTURES



MONOTUBE EX50 (ALU)

1m	1€/jour
1.50m	2€/jour
2m	2€/jour
2.50m	3€/jour

MONOTUBE EX50 (NOIR)

0.50m	1€/jour
1m	2€/jour
1.50m	3€/jour
2m	4€/jour
2.50m	5€/jour
3m	6€/jour



COLLIER MANCHON 35mm, 50kg

2€/jour



CERCLE TUBE 2m

10€/jour



BARRE TCAN 0.50m

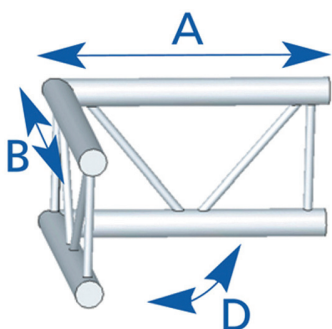
10€/jour

47

EX290 (ALU)

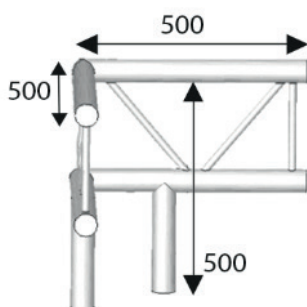


0.50m	2€/jour
1m	3€/jour
2m	5€/jour



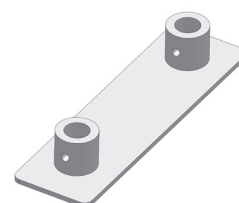
ANGLE 2D

5€/jour



ANGLE 3D

6€/jour



EMBASE EMX290

4€/jour





0.29m	4€/jour
0.50m	5€/jour
1m	6€/jour
2m	11€/jour
3m	16€/jour



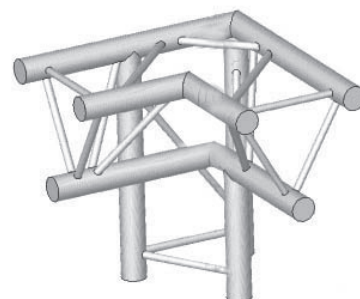
ANGLE 2D

10€/jour



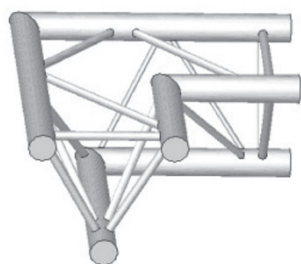
**ANGLE 3D
PIED DROIT**

20€/jour



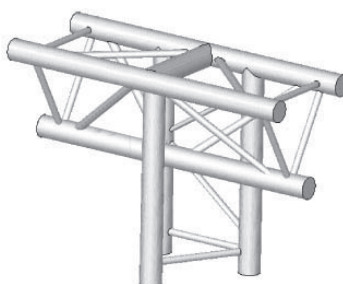
**ANGLE 3D
PIED GAUCHE**

20€/jour



ANGLE 2D

10€/jour



**ANGLE 3D
PIED T**

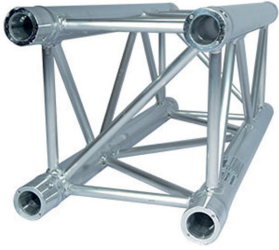
25€/jour



PIED MAGIQUE

20€/jour

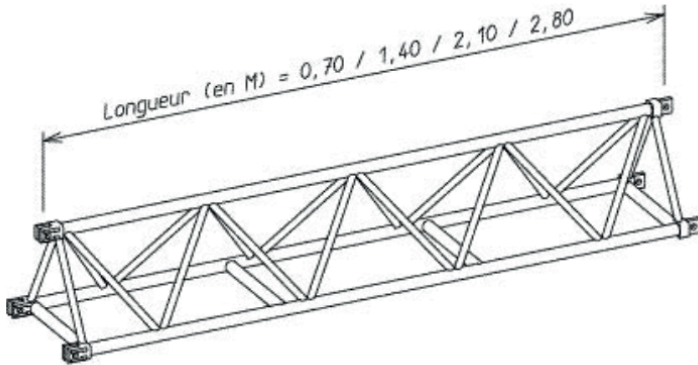
SC300 (ALU)



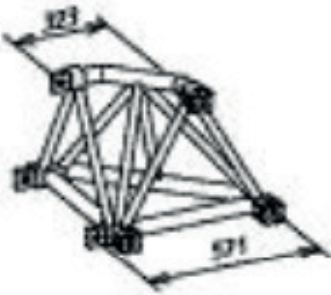
1m	6€/jour
1.50m	8€/jour

2m	10€/jour
3m	15€/jour

500T (ALU)

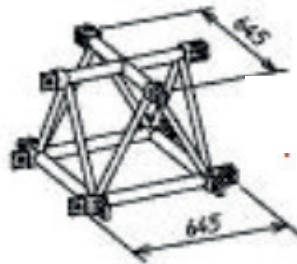


1.40m	10€/jour
2.80m ouvert	18€/jour
2.80m fermé	18€/jour



ANGLE 2D

20€/jour



ANGLE 4D

30€/jour



ANGLE LINÉAIRE

15€/jour

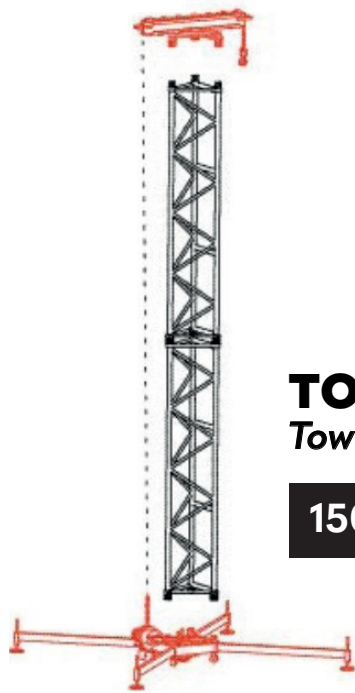


ANGLE 4D TIRAGE CENTRAL

50€/jour



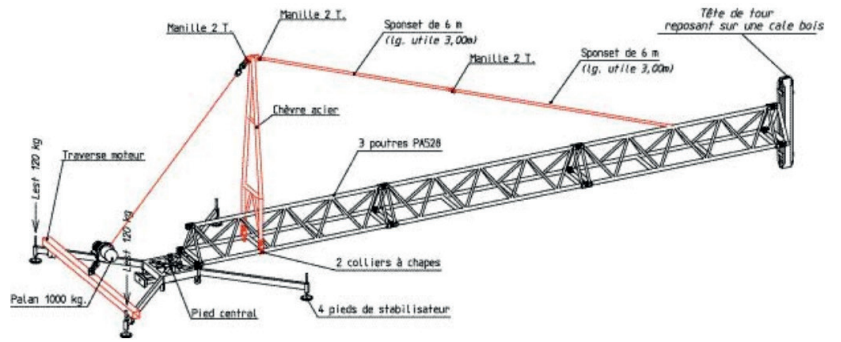
50



TOWER 1T

Tower avec moteur - H 9m

150€/jour



CHÈVRE DE LEVAGE

Montage tower avec palan

100€/jour

PRATICABLES



PRATICABLE PIED FIXE



1 x 1m 10€/jour

2 x 1m 20€/jour

2 x 0.5m 10€/jour

PIED FIXE (LOT DE 4)

0.20m 2€/jour

0.40m 3€/jour

0.60m 4€/jour

0.80m 5€/jour

1m 6€/jour



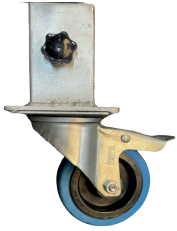
PIED REGLABLE (LOT DE 4)

0.40 / 0.60m 4€/jour

0.60 / 1m 6€/jour

1 / 1.20m 8€/jour

51



ROULETTE Simple

5€/jour



ROULETTE Double

7€/jour



ESCALIER 0.40/0.60m

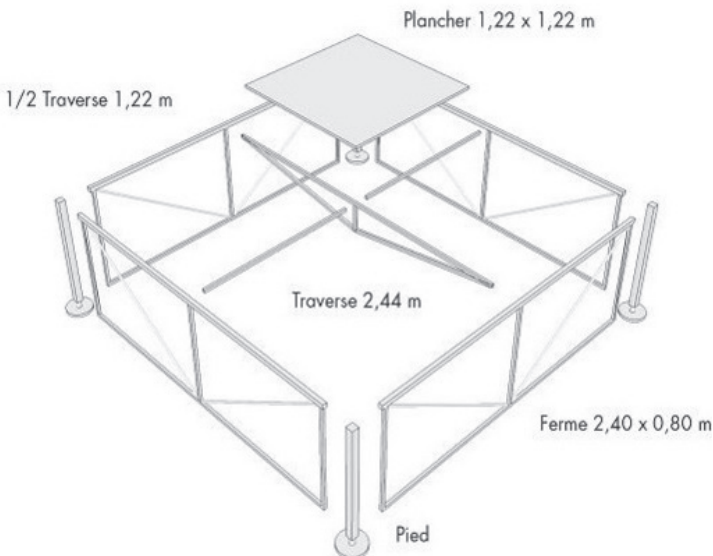
45€/jour



ESCALIER 0.80/1.40m

80€/jour

SCÈNE TRADITIONNELLE STACCO



SCÈNE TRADITIONNELLE H1,20 à 1,90m

Plancher modulaire 2.44 x 2.44m
2.44 x 1.22m / 1.22 x 1.22m

Sur devis



ELV 400 PRO

Pied de levage lumière ou son 4m, 80kg

- Pied à treuil auto-freiné à 3 sections

25€/jour

TE071

Pied de levage 5.40m, 220kg

45€/jour



ST20

Pied de levage à fourche 6.50m, 360kg

55€/jour



ST25

Pied de levage à fourche 8m, 290kg

65€/jour

LEVAGE



PALAN A CHAINE

15m, 1000kg

25€/jour



PALAN A CHAINE

5m, 500kg

10€/jour

ACCESSOIRES



EMBASES



EM259
Embase légère

5€/jour



W100
Embase lourde
1 x 1m, 100kg

35€/jour



W40
Embase semi-lourd
0.40 x 0.40m, 40kg

25€/jour



EML259
Diam 1m, 80kg

35€/jour

54

750kg

1m	1€/jour
1.50m	1€/jour
2m	2€/jour
3m	2€/jour

1T

0.50m	1€/jour
1m	1€/jour
5m	3€/jour
10m	5€/jour

STEEL-FLEX 1T

0.50m	1€/jour
1m	1€/jour
1.50m	1.50€/jour
2m	2€/jour

1.5T

1m	2€/jour
1.50m	2€/jour

1T	1€/jour
2T	2€/jour
3.25T	3€/jour

CROCHETS



COLLIER AVEC ANNEAU

50mm, 200kg

2€/jour



CROCHET ECO

50mm, 200kg

1€/jour



COLLIER SIMPLE

50mm, 75kg

2€/jour



COLLIER DOUBLE

50mm, 75kg

1€/jour



COLLIER SIMPLE

50mm, 500kg

2€/jour



COLLIER DOUBLE

50mm, 500kg

3€/jour



CROCHET «SELFLOCK»

50mm, 250kg

2€/jour



CROCHET «TRIGGER»

50mm, 250kg

2€/jour



PENDRILLON

1 x 7m	5€/jour
3 x 4m	10€/jour
3 x 7m	20€/jour



ECHAFAUDAGE

3 niveaux
Hauteur travail : 2m à 7m

Base	60€/jour
+2m	30€/jour



SCENES

LES PRIX NE COMPRENNENT PAS LE MONTAGE

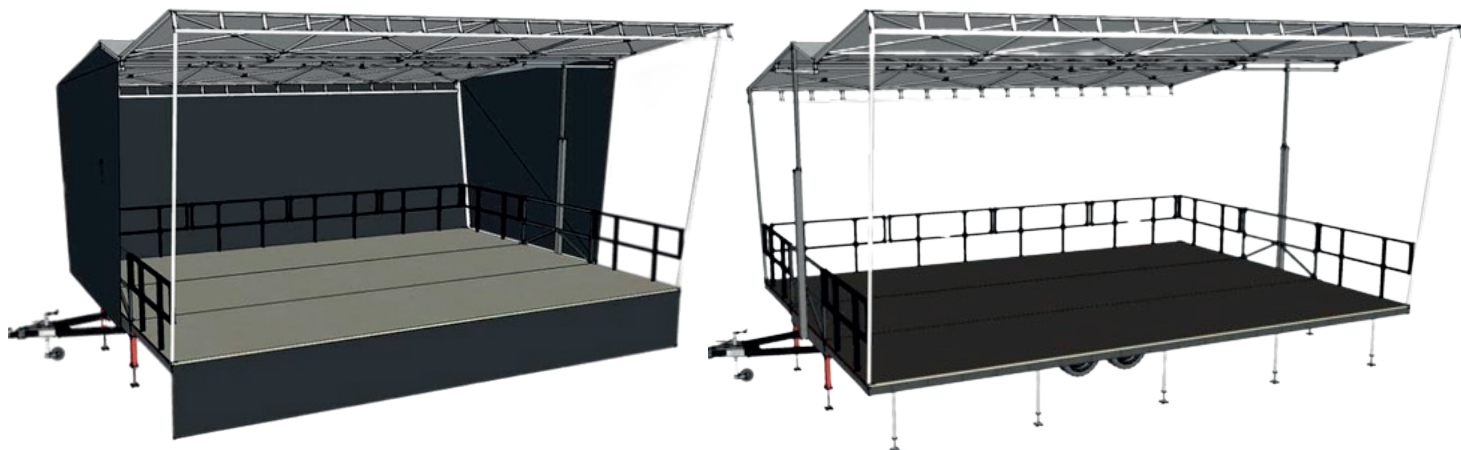
STAGECAR III

EUROPODIUM®
CONCEPTEUR & FABRICANT

SCENE MOBILE 48m²

Clearance 3 ou 4m

1 390€/jour



58

SCENE MOBILE 55m²
Clearance 4.20m hydraulique

1 690€/jour



STAGE 80M2



SCENE TRADITIONNELLE 80m² SUR MAT

Clearance 7.50m

3 780€/jour



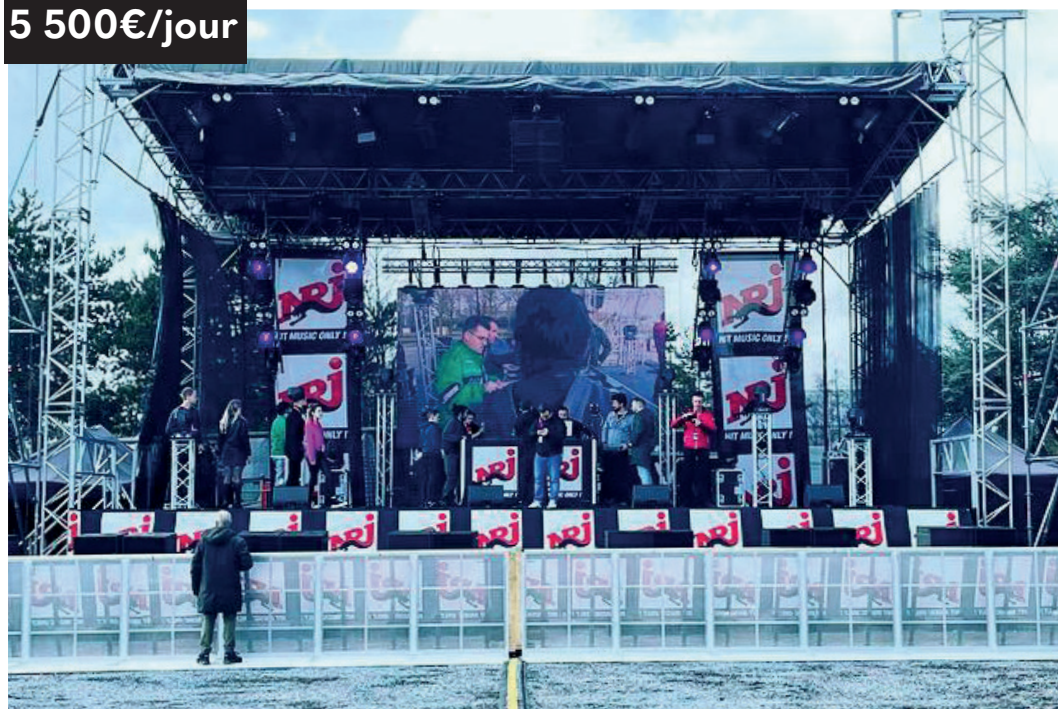
STAGE 120M2



SCENE TRADITIONNELLE 120m² SUR MAT

Clearance 7.50m

5 500€/jour



60